



**FLOTRONIC®**  
ONE-NUT™ PUMPS

*The simplest ideas are often the best*

## ‘Slimline’ Range

The versatile and robust answer  
to all your liquid transfer needs



## 'Slimline' Range - efficient and adaptable metal pumps



Machined from solid material, with a choice of solid Aluminium, Stainless Steel or exotic metals including Hastelloy®, Flotronic's fully drainable 'Slimline' pumps can be used in a wide range of industries for any liquid transfer, including chemical, cosmetic, paints and coatings, pharmaceutical, adhesive, food and beverage, sanitary and hygienic applications. They have proved particularly effective in the transfer of viscous products such as cosmetics and foodstuffs including dairy products and mayonaise.

These pumps are especially suited to applications where hygiene is paramount and where the avoidance of product hold-up is important.

Flotronic's 'Slimline' pumps may be more compact than competitor AODD pumps, but they're just as capable - offering all the benefits for which Flotronic pumps are renowned, including Flotronic's innovative, easy-maintenance, 'One-Nut' design which allows pump maintenance in a matter of minutes.

### Performance to match any requirements.

- compact design ideal when space is limited
- outside surfaces can be easily cleaned
- a range of ½" to 3" connections, with 7", 10" or 12" diameter diaphragms, providing in-line adaptability
- screwed, hygienic or flanged connections to suit particular applications
- ease of maintenance through:
  - Flotronic Pumps' 'One-Nut' technology
  - readily accessible ball valves
  - pump air-valve easy to maintain when in-line

*Flotronic 'One - Nut' pumps - The simplest ideas are often the best*

## Flotronic 'Slimline'

### Performance to match any requirements *(continued)*

- a choice of materials to suit any application including Stainless Steel, Aluminium and also exotic metals including Hastelloy®
- ATEX Directive compliant up to Gas Group IIC
- crevice free design with no internal welding - ideal for hygienic applications and cleaning
- fully drainable body
- surface finish to customer specification available with a range of polished options
- optional hot water/steam jacket
- with environmental protection in mind, Diaphragm Rupture Protection and fully pneumatic Alarm Systems are available
- optional high temperature diaphragm allows for a 135 °C (275 °F) maximum operating temperature
- self-priming 3.6m/12ft dry and 8m/26ft wet.

### All of which help you to:

- transfer an extensive variety of materials efficiently across a range of industries
- reduce down time and cleaning costs
- maintain and even improve sanitary levels on site.

### Applications:

- Chemical
- Cosmetics and personal care
- Paints
- Pharmaceutical
- Adhesive
- Hygienic
- Food and beverage.

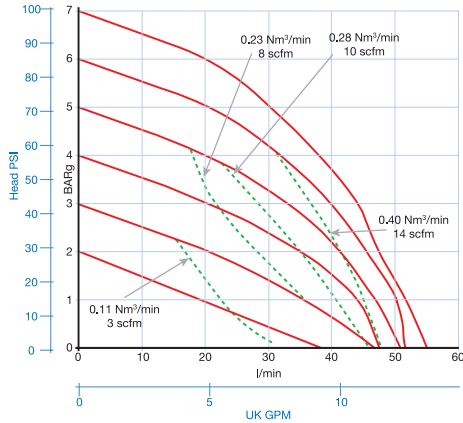


Flotronic's commitment to high quality management of the processes that create and control our products has been recognised in the achievement of the ISO 9001 accreditation, the internationally recognised standard for quality management of businesses.

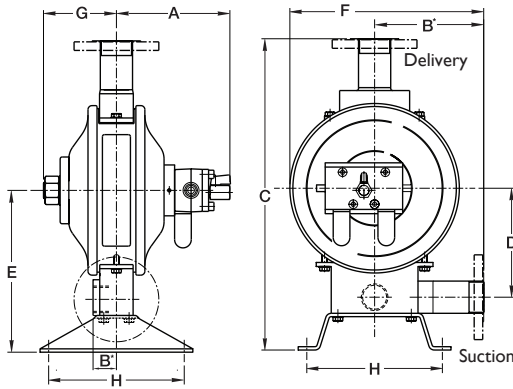
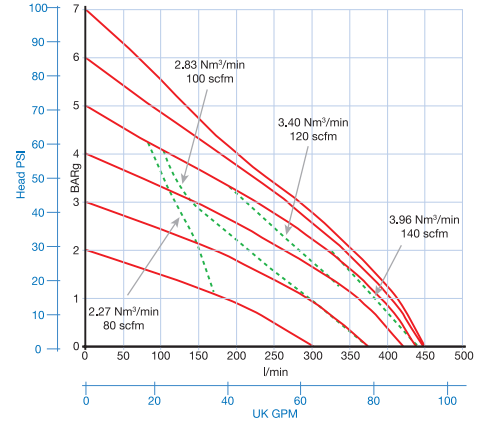


# Technical Data

## Flow Rate 7" diameter diaphragm 1/2"



## Flow Rate 12" diameter diaphragm 3"



‘Slimline’ Stainless Steel range										Diaphragm Diameter
Size	A	B	C	D	E	F	G	H	Wt/kg	
1/2" - 1"	159	106	332	109	175	215	92	160	17	7"
1/2" - 1"	172	129	425	145	217	255	109	203	27	10"
1 1/2" - 2"	207	163	466	163	242	290	109	203	28	10"
1 1/2" - 2" - 3"	305	180	600	175	280	350	180	250	75	12"
‘Slimline’ Aluminium range										Diaphragm Diameter
Size	A	B	C	D	E	F	G	H	Wt/kg	
1/2" - 1"	159	89	312	109	175	187	92	160	13	7"
1/2" - 1"	172	69	461	171	256	254	109	203	22	10"
1 1/2" - 2"	180	45	437	171	256	254	109	203	22	10"
1 1/2" - 2" - 3"	305	125	520	180	275	295	180	250	50	12"

Maximum operating pressure 7.2 bar (105 PSIG)

Dimensions in mm

Flotronic Pumps Limited.

Ricebridge Works, Brighton Road, Bolney, West Sussex RH17 5NA. UK

Tel: +44 (0)1444 881871 Fax: +44 (0)1444 881860

E-mail: sales@flotronicpumps.co.uk Web: www.flotronicpumps.co.uk

For authentic Flotronic pump spares go to: www.flotronicspares.co.uk

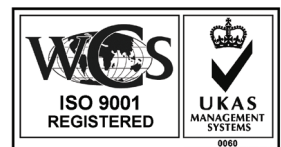
Hastelloy® is a registered trademark of Haynes International.

‘Flotronic’ is a UK registered trade mark.

Specifications subject to change without notice.



ATEX APPROVED PUMPS



Certificate No. 6597



Flotronic ‘One - Nut’ pumps - The simplest ideas are often the best